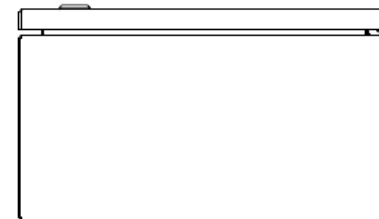
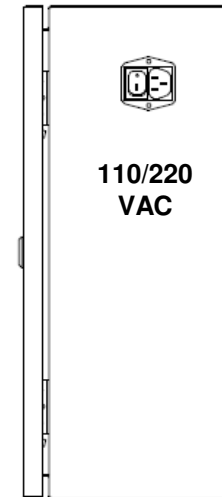
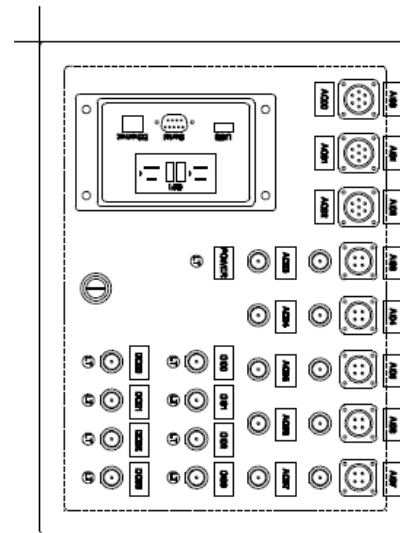
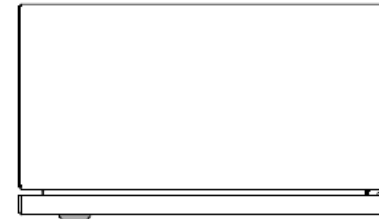
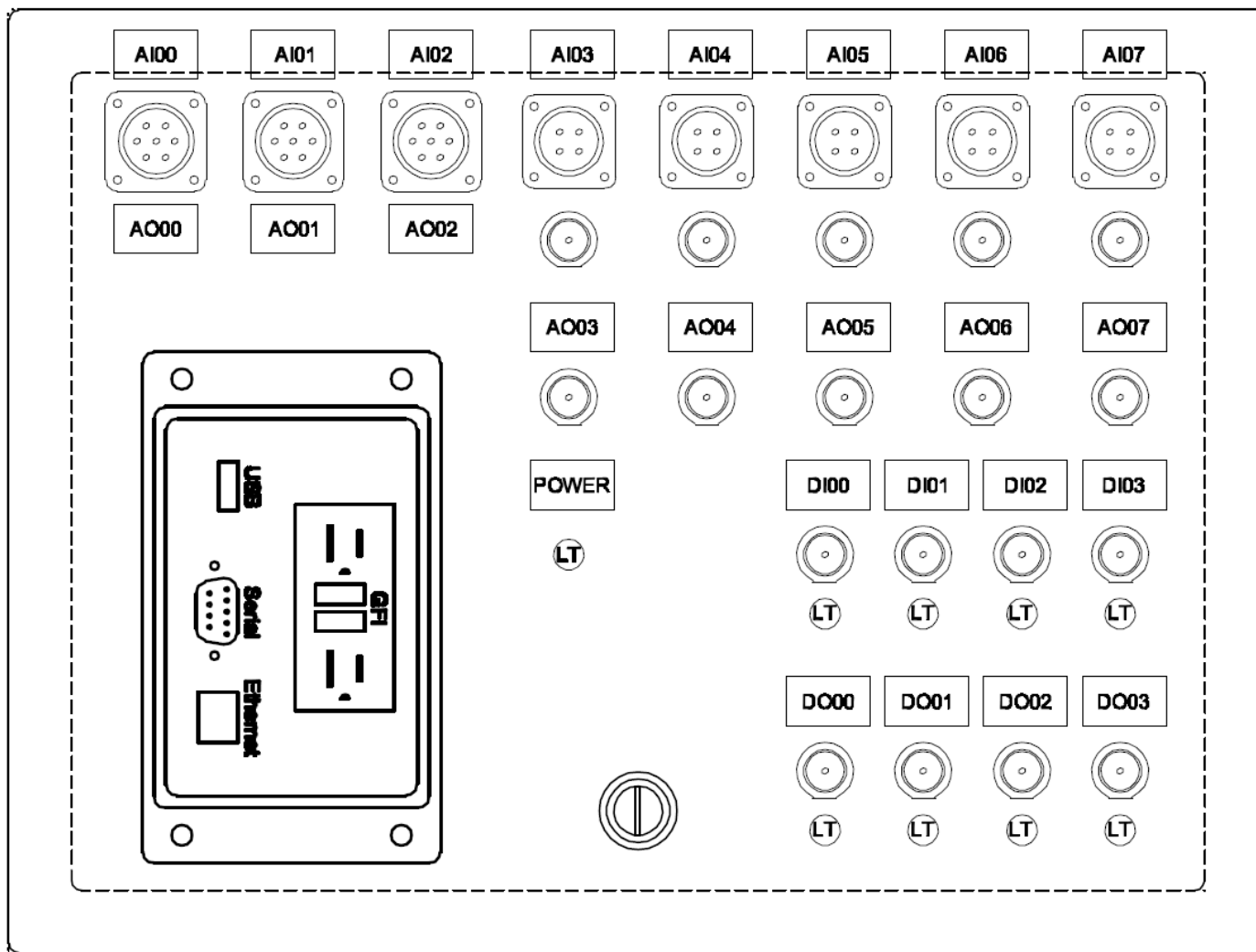


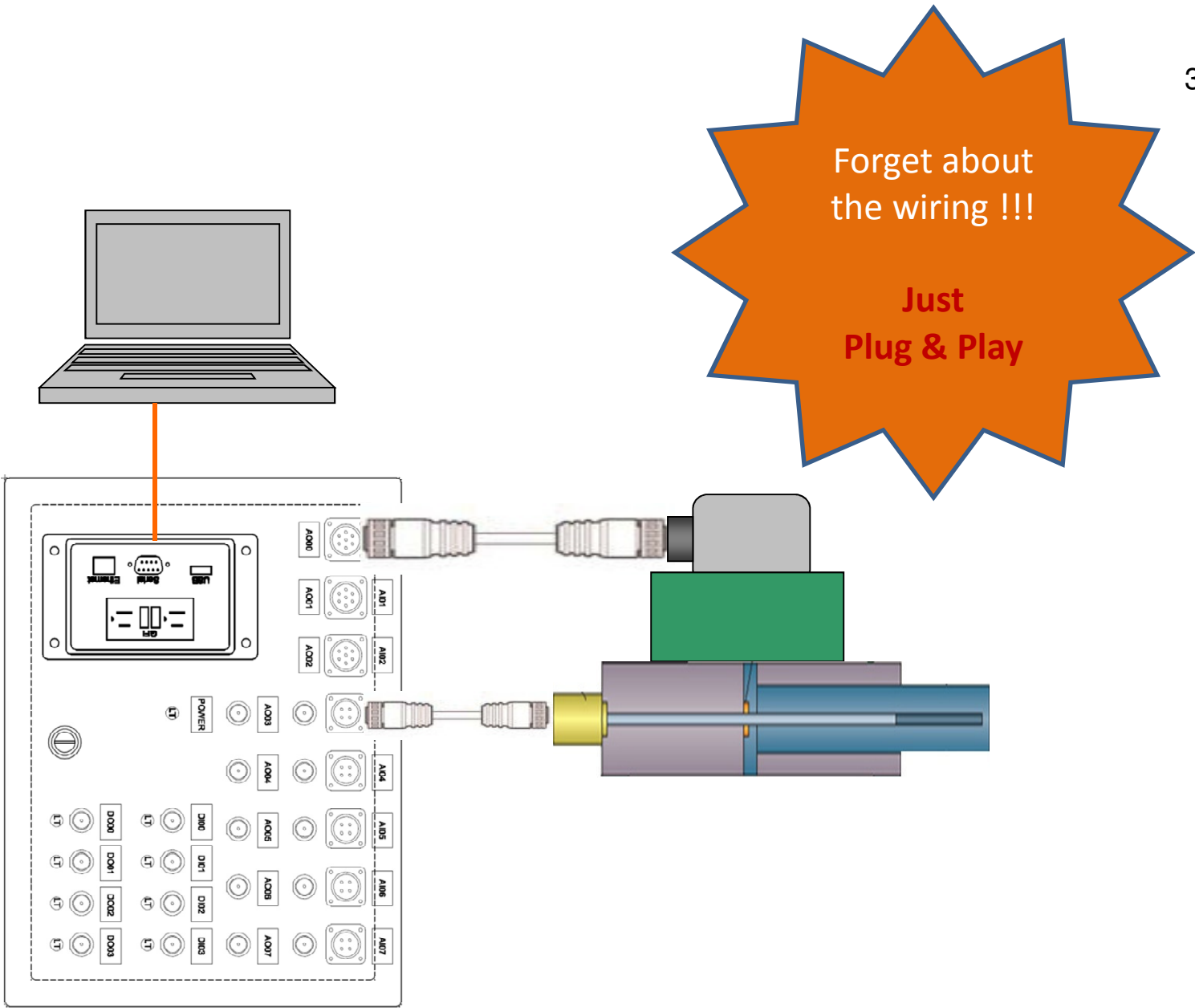
Universal Fluid Power Controller (UFPC)

Features:

- Built in 110/220 VAC 12 amp power supply.
- Built in [Galil controller](#).
- Three (24 volt internally powered) 7-pin outlets to drive proportional/servo valves.
- Five (24 volt internally powered) analog inputs to receive signals from sensors.
- Five (± 10 V) analog outputs.
- Four digital input.
- Four digital output.
- PC-Interface (USB + Ethernet + RS232).
- Free software to read/write a code.
- Built in PID Loops/







Example of using the UFPC in a closed loop cylinder position control.

